



The LAMAE155 is a compact and hygienically designed commercial bench-mounted band saw designed to cut fresh meat, bone and frozen meat.



- **Constructed with a compact rigid chassis**
- **Crevice free interior** for ease of cleaning
- **Brake motor operation** within 4 seconds either by the stop button or when opening the door
- **CE approved**

# Model LMAE155

## Benchtop Bandsaw

CE Approved

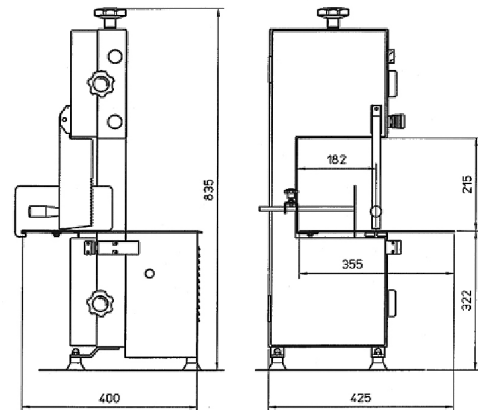
The LMAE155 benchtop bandsaw is a compact and hygienically designed commercial benchtop bandsaw designed to cut fresh meat, bone and frozen meat.

Features:

- Stainless steel and anodised aluminium construction to resist corrosion, and the cutting group, inlet throat and barrel are made from stainless steel;
- Drive reduction gears run in an oil bath to maintain maximum lubrication;
- Reversing switch to clear blockages;
- All models can be supplied with 3-phase power;
- Stainless steel 18/8 cutting group;
- CE approved.

## SPECIFICATIONS

	LMAE155
Power	750W
Dimensions mm (W x L x H)	440x420x850
Weight kg	32



**Brice Australia Pty. Ltd.** ABN 71 413 589 669  
**100% Australian owned and operated**  
 Copyright ©2013 Brice Australia Pty. Ltd.

For further information, spare parts and service details, contact the Brice Office in your State, or Brice Australia Pty. Ltd, 19 Evans Street, Burwood, Victoria 3125  
[www.briceaust.com.au](http://www.briceaust.com.au)  
 or email [info@briceaust.com.au](mailto:info@briceaust.com.au)

**SYDNEY:** Ph: (02) 9838 0505 Fax: (02) 9838 0822  
**MELBOURNE:** Ph: (03) 9888 7125 Fax: (03) 9888 7909  
**BRISBANE:** Ph: (07) 3260 6611 Fax: (07) 3260 6000  
**ADELAIDE:** Ph: (08) 8408 8100 Fax: (08) 8234 9033  
**PERTH:** Ph: (08) 9334 9600 Fax: (08) 9334 9601